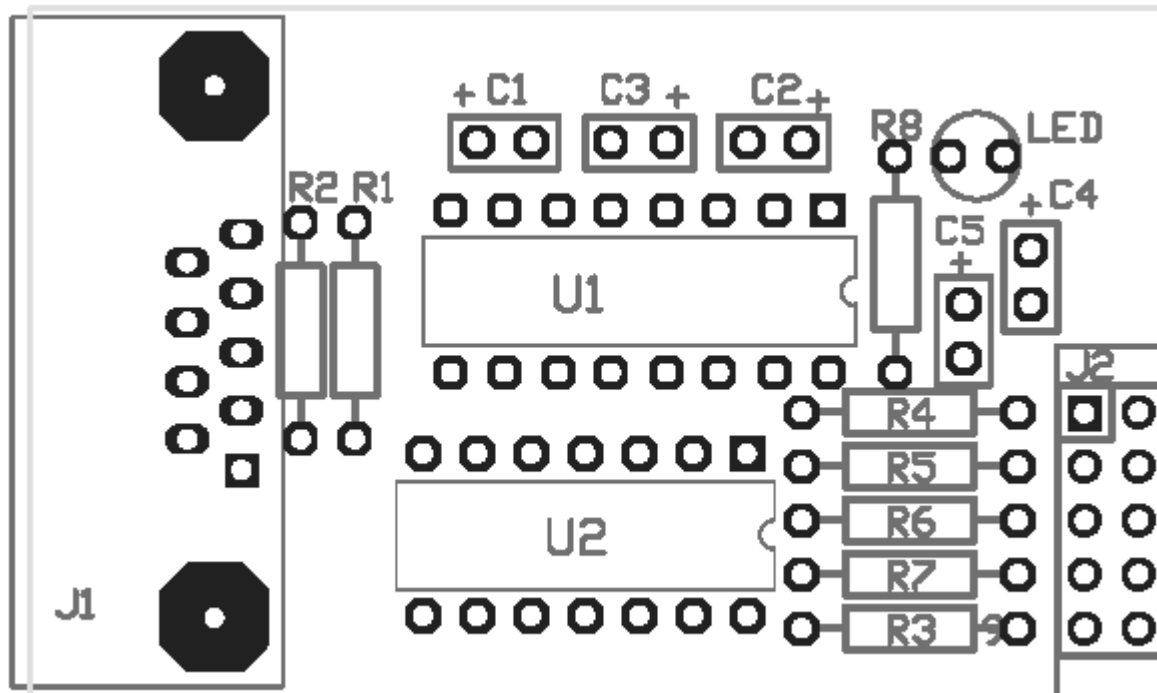


PROGRAMMING INTERFACE FOR MIDLAND XTR RADIOS

The top view of the pcb is shown below. All components mount on this side.



Component values are as follows:

C1 – C4	1uF tantalum
C5	10uF tantalum (can be as low as 1uF)
R1, R2	3K3
R3	10R
R4 – R7	1K
J1	DB9RA (F)
J2	IDC transition header 10 way
U1	MAX232CPE
U2	74HC00

(not on board) IDC socket 10 way 10 way IDC cable

(optional) LED your choice R8 470R/680R to suit LED.

Assemble all components as listed above. Polarity for tants is shown on overlay above.

Fix IDC cable to transition header and connect IDC socket to other end, checking polarity against pin 1 markings on connectors. Pin 1 on the pcb end (ground) is the pin nearest the centre of the board – check copper pattern underneath to confirm. On the radio plug end, pin 1 is nearest the front corner of the radio.

If it doubt, ASK!
